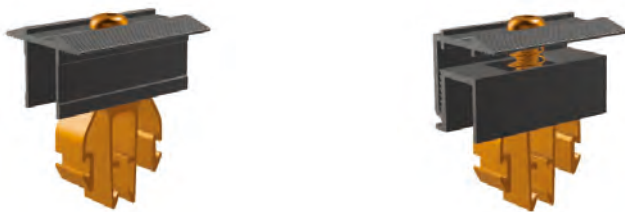
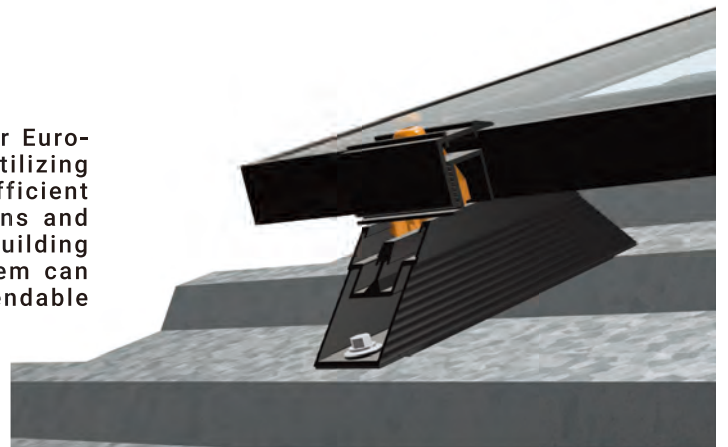


Steel Roof System:

European commercial and industrial metal roofs provide an ideal platform for solar power systems. Their flat surface and structural strength make it convenient for the installation of solar panels. By combining our clamp-based mounting system, solar panels can be securely and stably mounted on metal roofs, offering renewable energy solutions for commercial and industrial buildings.

Our mounting system is specifically designed for European commercial and industrial metal roofs. Utilizing clamp connectors, we provide a simple and efficient installation method, ensuring reliable connections and stability. Whether it's a small-scale commercial building or a large industrial project, our mounting system can meet your needs, providing a durable and dependable solution for your metal roof solar project.



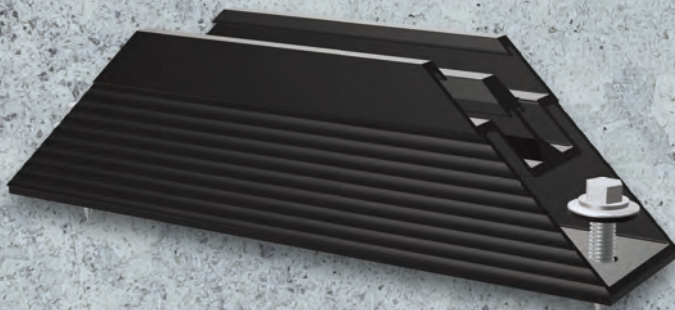
Revolutionize your solar installation experience with our cutting-edge Clamp connectors! Meticulously designed and seamlessly integrated with our mounting system, these connectors ensure fast and effortless installation.

Each connector features a secure locking mechanism with reverse hooks, providing 4 times reliable and robust safety.

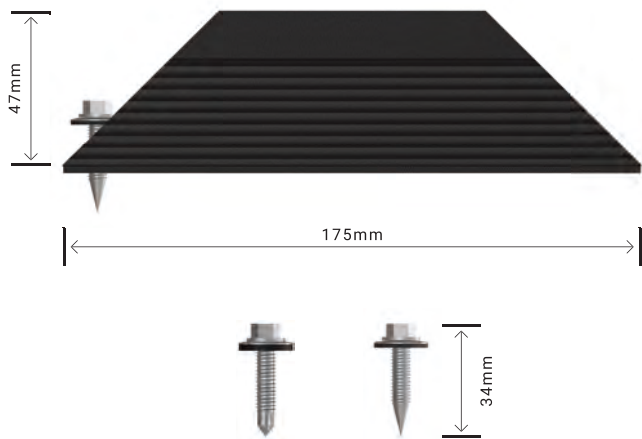
Say goodbye to cumbersome assembly processes and embrace the simplicity of our fully preassembled system. With just a single pre-installed screw, you can confidently and efficiently secure your solar panels. Experience the power of innovation, unlock newfound convenience and productivity.

Join the solar revolution and elevate your installation capabilities to a whole new level!





Our mounting system can be easily installed with just two stainless steel screws. Each screw comes with a waterproof EPDM sealing washer, offering remarkable benefits such as UV resistance and waterproof properties. These washers are also environmentally friendly, aligning with sustainable development requirements.



Different surface materials require different specifications of screws

The entire mounting system rails are made of high-strength aluminum alloy and are formed through a thickened anodized black process, ensuring exceptional strength and corrosion resistance. The interface between the aluminum alloy mounting system and the metal roof is protected by EPDM material, which provides waterproofing capabilities, effectively preventing water penetration.

As the installation screws are tightened, the EPDM material helps achieve perfect waterproofing without the need for additional labor or materials. Our mounting system has significant advantages in coastal cities and high-salt, high-humidity environments. Compared to traditional silver untreated aluminum alloy structures, our black anodized finish not only provides enhanced corrosion resistance but also adds a more aesthetic appearance to the mounting system.

Whether in coastal areas or humid environments, our aluminum alloy mounting system can offer a safer and more visually appealing solution for your solar project.

Layout and components

- 1 Steel roof
- 2 End clamp
- 3 Roof mounting rail
- 4 Screw with EPDM
- 5 Intermediate clamp
- 5 Solar panel

